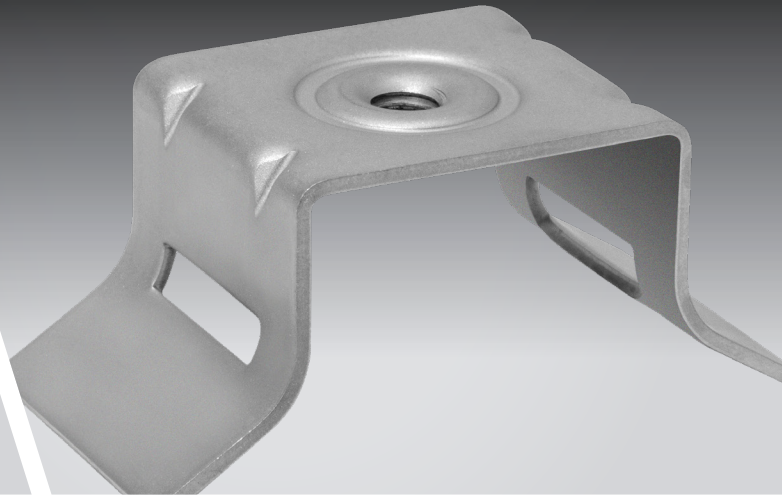
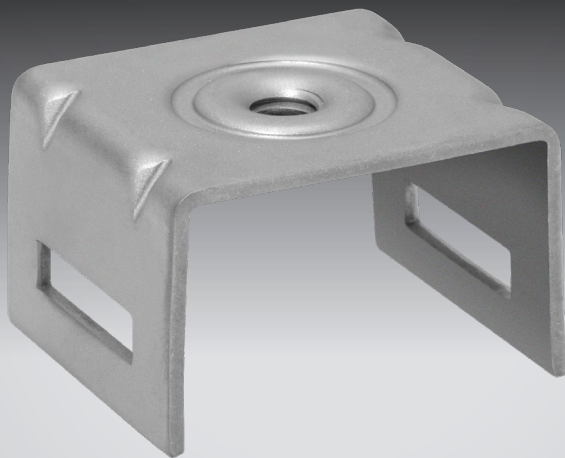




# SIGN BRACKETS

NEWLY REDESIGNED

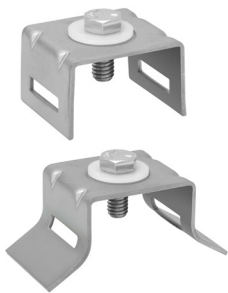


## NOW AVAILABLE!

[strapbinder.com](http://strapbinder.com)

**Stainless steel sign brackets** are available in straight leg or flared leg for sign mounting. Brackets are threaded and can be ordered with or without bolts and washers.

- Made in the U.S.A.
- Redesigned with stiffening ribs
- Durable construction
- Used for mounting sign, signal, and other related traffic control products.



Item No.	Type	Description	Qty/Box	Weight/Box
AACS216455	Bolt	Stainless Steel 5/16" - 18 x 3/4"	50	1.5 lb
AAWL213455	Washer	Plastic 7/8" OD x 3/8" ID	50	0.5 lb
ST000	Straight Leg Brackets	Stainless Steel with SS Bolts, and Plastic Washer	50	7.6 lb
ST004	Straight Leg Brackets	Stainless Steel	50	6.0 lb
ST021	Flared Leg Brackets	Stainless Steel with SS Bolt, and Plastic Washer	50	7.6 lb
ST022	Flared Leg Brackets	Stainless Steel	50	6.0 lb



**IDEALTRIDON.COM | PROVEN DESIGNS, BILLIONS OF TIMES**

GLOBAL HEADQUARTERS

8100 TRIDON DRIVE SMYRNA, TN USA 800.251.3220 | 615.459.5800

USA | CANADA | MEXICO | CHINA | JAPAN | POLAND | ITALY | INDIA

